

**Mongoose  
Metals, Inc.**

2525 Commercial St. NE  
Salem, Oregon 97301

Tel: (844) 358-3227

Fax: (503) 480-3118

[sales@mongoosemetals.com](mailto:sales@mongoosemetals.com)

[www.mongoosemetals.com](http://www.mongoosemetals.com)



**Mongoose  
Metals Inc.**



# PRODUCT CATALOGUE



**(844) 358-3227**

# Mongoose Metals Inc.

## Customer Service & Order Information



### Business Hours

Monday through Friday 8:30am to 5:00pm PST

If you need to place an order before or after regular business hours please leave a message or fax it or email and we will return your call during regular business hours to confirm your order.

### Pick-up & Delivery

Orders will be shipped UPS or US Postal Service unless other arrangements are made for pick-up or delivery.

### Accounts & Payments

We welcome anyone who wishes to apply for an open account with *Mongoose Metals, Inc.* You must have an approved credit application on file and allow 7 working days for processing. Open accounts are billed at the end of each month, a detailed statement will be mailed at that time. All accounts with credit are subject to a credit limit, to be determined by *Mongoose Metals, Inc.* Accounts not paid within 15 days of the billing date are subject to suspension of credit and delinquent account charges will be assessed. Returned checks are subject to a \$40.00 service charge.

### Rush Orders

Rusher services are offered to meet your demanding deadlines that don't work with our normal turnaround time. Acceptance of rush orders and the added charges must be approved by you

and *Mongoose Metals, Inc.* prior to production. Rush order charges reflect a 50% to 100% premium depending on the deadline requirements.

### Remakes

The primary objective of *Mongoose Metals, Inc.* is to provide a quality product. When a discrepancy occurs over a final product, you must discuss your concerns with *Mongoose Metals, Inc.* and return the product within 30 days.

### Revisions & Cancellations

If a revision or cancellation is made during the production of your order, you must pay for the work completed to that point.

### Prices

All pricing is subject to change without notice as material and labor cost rise.

### Specialty

Chimney caps that are made of copper or are powder coated can be made upon request. If you have special needs for your caps, please let us know. Custom and specialty caps are priced per quote, and may take longer than normal turnaround times. We are able to make other styles of caps not shown in our catalog. Please let us know if you need a special style of cap.

# Mongoose Metals Inc.

## Chase Cover Order Form



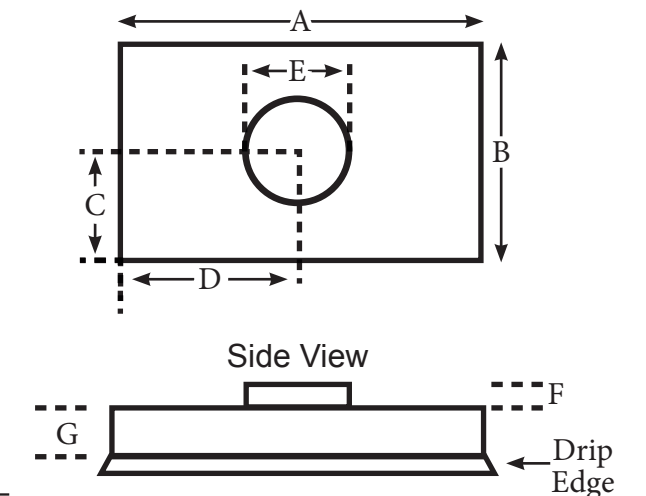
### Diagram #1 - Single Flue

- A. \_\_\_\_\_
- B. \_\_\_\_\_
- C. \_\_\_\_\_
- D. \_\_\_\_\_
- E. \_\_\_\_\_

Side View

- F. \_\_\_\_\_
- G. \_\_\_\_\_

Do you need a drip edge? Yes  No   
 Do you need corners? Yes  No



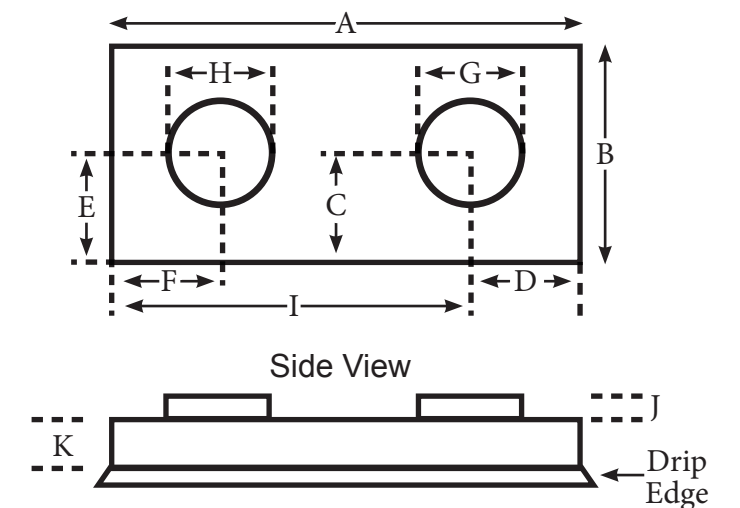
### Diagram #2 - Multiple Flue

- A. \_\_\_\_\_
- B. \_\_\_\_\_
- C. \_\_\_\_\_
- D. \_\_\_\_\_
- E. \_\_\_\_\_
- F. \_\_\_\_\_
- G. \_\_\_\_\_
- H. \_\_\_\_\_
- I. \_\_\_\_\_

Side View

- J. \_\_\_\_\_
- K. \_\_\_\_\_

Do you need a drip edge? Yes  No   
 Do you need corners? Yes  No



# Table of Contents

Customer Service & Order Information . . . . .	i
Standard Flue Cap . . . . .	1
Custom Flue Cap. . . . .	1
Inside Fit Flue Cap . . . . .	1
Glue Down Flue Cap . . . . .	1
Wind Directional Flue Cap. . . . .	2
Wind Directional Transition Cap . . . . .	2
Wind Directional Cap (Air Cooled). . . . .	2
Wind Directional Cap (Non - Air Cooled). . . . .	2
Rain Cap (Air Cooled) . . . . .	3
Rain Cap (Non - Air Cooled) . . . . .	3
Monsoon Cap (Air Cooled) . . . . .	3
Monsoon Cap (Non - Air Cooled) . . . . .	3
Monsoon Transition Cap . . . . .	3
Damper King Flue Damper Cap . . . . .	4
Damper King Rain Damper Cap (Air Cooled) . . . . .	4
Damper King Rain Damper Cap (Non-Air Cooled) . . . . .	4
Alcove Adapter . . . . .	5
Fire Back . . . . .	5
U-P Adapter . . . . .	5
Foundation Vent . . . . .	5
Chase Covers . . . . .	5
Pipe & Flue Tile Guide. . . . .	6
Chase Cover Order Form . . . . .	7

## Warranty

---

Stainless steel chimney caps are warranted for lifetime of original owner, under normal wear and tear. Proper care must be taken in order for the warranty to be valid. It does not include improper installation or improper care of the chimney cap. The warranty will cover any deterioration of metal (stainless steel only) and problems with the manufacturing of the chimney cap. Normal cleaning needs to be done in order to maintain proper working order. This does not include natural weather damage. Contact your installer if you have any problems or need a replacement cap.



# HIP & RIDGE CAPS

HIP & RIDGE CAPS  
MADE CUSTOM  
FOR YOUR CHIMNEYS  
DIMENSIONS

- STAINLES STEEL
- COPPER
- POWDER COATED  
(MULTIPLE COLOR CHOICES)



# FLUE STRETCHER CAPS

## CUSTOM DESIGNS

COMPLTELY CUSTOM  
DESIGN HIP & RIDGE



DOWN TO THE  
SMALLEST DETAILS



# Flue Caps



## Standard Flue Cap

Made from stainless steel, this cap is designed to fit around the outside of the standard size clay liners.

### How to measure for a perfect fit?

Measure the outside dimension of the clay liner.

Size	Fits
9 x 9	6 ¼ x 6 ¼ -- 8 ¾ x 8 ¾
9 x 13	6 ¼ x 10 ¼ -- 8 ¾ x 12 ¾
9 x 17	6 ¼ x 14 ¼ -- 8 ¾ x 16 ¾
13 x 13	10 ¼ x 10 ¼ -- 12 ¾ x 12 ¾
13 x 17	10 ¼ x 14 ¼ -- 12 ¾ x 16 ¾
17 x 17	14 ¾ x 14 ¾ -- 16 ¾ x 16 ¾



## Custom Flue Cap

Designed to fit odd sized clay liners, over multiple clay liners, or custom brick or block chimneys with or without clay liners

### How to measure for a perfect fit?

Measure the exact outside dimensions of one or the styles listed above. Let us know if the clay liner sticks up above the chimney, we can add extra screen to allow for proper ventilation. For chimney with more than one flue opening, we can add spacers to stop down drafting from one flue into another.



## Inside Fit Flue Cap

Made from stainless steel, this cap is designed to fit inside brick chimneys or clay liners that are flush with the top of the chimney. Tops are bolted on for mounting and cleaning access.

Measure inside dimensions. We also need to know if the flue has rounded or square corners.

Standard Sizes
9 x 9
9 x 13
9 x 17
13 x 13
13 x 17
17 x 17

*Custom sizes available by quote.*



## Glue Down Flue Cap

Made from stainless steel, these caps are designed to fit on brick chimneys where there is no clay liner or the clay liner is flush with the top of the chimney. It comes with bolts on top of easy cleaning access.

### How to measure for a perfect fit?

Measure the inside dimension of the chimney's exhaust if there is no clay liner. If there is a clay liner let us know if the liner is flush or if it extends above the chimney, then measure the outside dimensions of the liner or liners if this cap is going to cover more than one liner. We can add spacers in the cap to stop down drafting from one flue to another. See custom flue cap for description of spacers.

# Wind Directional Caps



## Wind Directional Flue Cap

Made from stainless steel, this cap is designed to fit around the outside of standard size clay liners. These caps help stop down drafting.

Measure the outside dimension of the clay liner.

Size	Fits
9 x 9	6 ¼ x 6 ¼ -- 8 ¾ x 8 ¾
9 x 13	6 ¼ x 10 ¼ -- 8 ¾ x 12 ¾
9 x 17	6 ¼ x 14 ¼ -- 8 ¾ x 16 ¾
13 x 13	10 ¼ x 10 ¼ -- 12 ¾ x 12 ¾
13 x 17	10 ¼ x 14 ¼ -- 12 ¾ x 16 ¾
17 x 17	14 ¾ x 14 ¾ -- 16 ¾ x 16 ¾

*Custom sizes available by quote.*



## Wind Directional Transition Cap

Made from stainless steel, this cap is designed to fit rectangle, square or oval clay liners. These caps help to stop down drafting

### How to measure for a perfect fit?

Measure the outside dimension of the clay liner. For inside fit, give us the inside dimensions.

Size	Fits
9 x 9	6 ¼ x 6 ¼ -- 8 ¾ x 8 ¾
9 x 13	6 ¼ x 10 ¼ -- 8 ¾ x 12 ¾
9 x 17	6 ¼ x 14 ¼ -- 8 ¾ x 16 ¾
13 x 13	10 ¼ x 10 ¼ -- 12 ¾ x 12 ¾
13 x 17	10 ¼ x 14 ¼ -- 12 ¾ x 16 ¾
17 x 17	14 ¾ x 14 ¾ -- 16 ¾ x 16 ¾

*Custom sizes available by quote.*



## Wind Directional Cap | Air Cooled

Made from stainless steel, this cap is designed to fit air cooled pipe systems. This cap helps stop wind from down drafting.

### How to measure for a perfect fit?

Measure the inside dimension of the pipe, then the outside of the pipe. Tell us how many pipes make up the exhaust system so we can make sure you get the right cap.

Standard Sizes	
6 x 10	
7 x 10	
8 x 10	
8 x 13 ½	
9 x 15 ½	
10 x 13	
10 x 15 ½	

*Custom sizes available by quote.*



## Wind Directional Cap | Non-Air Cooled

Made from stainless steel, this cap is designed to fit solid pack and single wall pipe systems. This cap helps stop wind from down drafting.

### How to measure for a perfect fit?

Measure the inside and outside dimension of the pipe.

Standard Sizes	
3"	8"
4"	9"
5"	10"
6"	12"
7"	

*Custom sizes available by quote.*

# Rain & Monsoon Caps



## Rain Cap | Air Cooled

Designed to fit pipes that require air circulation for cooling, whether it is a double or triple wall pipe system. This cap is designed to help keep rain out.

Standard Sizes	
6 x 10	9 x 13
7 x 10	9 x 15 ½
8 x 10	10 x 13 ½
8 x 13 ½	10 x 15 ½

### How to measure for a perfect fit?

Measure the inside and outside dimension of the pipe. Tell us how many pipes make up the exhaust system so we can make sure you get the right cap.

*Custom sizes available by quote.*



## Rain Cap | Non-Air Cooled

Designed to fit solid pack style pip systems that require air circulation for cooling. This cap is designed to help keep rain out.

### How to measure for a perfect fit?

Measure the inside and outside dimension of the pipe.

*Custom sizes available by quote.*

Standard Sizes
6"
7"
8"
9"
10"
11"
12"



## Monsoon Cap | Air Cooled

Designed to fit pipes that require air circulation for cooling, whether it is a double or triple wall pipe system. This cap is the answer for extremely windy and rainy conditions.

### How to measure for a perfect fit?

Measure the inside dimension of the pipe, then the outside of the pipe. Tell us how many pipes make up the exhaust system to we can make sure you get the right cap.

*Custom sizes available by quote.*

Standard Sizes
6 x 10
7 x 10
8 x 10
8 x 13 ½
9 x 15 ½
10 x 13
10 x 15 ½



## Monsoon Cap | Non-Air Cooled

Made from stainless steel, this cap is designed to fit solid pack style pipe systems. Designed to fit pipes that require air circulation for cooling, whether it is a double or triple wall pipe system. This cap is the answer for extremely windy and rainy conditions.

### How to measure for a perfect fit?

Measure the inside and outside dimension of the pipe.

Standard Sizes	
3"	8"
4"	9"
5"	10"
6"	12"
7"	

*Custom sizes available by quote.*

## Monsoon Transition Cap

Made from stainless steel, this cap is used for extremely rainy and windy conditions. It is designed to fit rectangular, square, or oval clay liners.

### How to measure for a perfect fit?

Measure the inside and outside dimension of the pipe.

Size	Fits
9 x 9	6 ¼ x 6 ¼ -- 8 ¾ x 8 ¾
9 x 13	6 ¼ x 10 ¼ -- 8 ¾ x 12 ¾
9 x 17	6 ¼ x 14 ¼ -- 8 ¾ x 16 ¾
13 x 13	10 ¼ x 10 ¼ -- 12 ¾ x 12 ¾
13 x 17	10 ¼ x 14 ¼ -- 12 ¾ x 16 ¾
17 x 17	14 ¾ x 14 ¾ -- 16 ¾ x 16 ¾

*Custom sizes available by quote.*

# Damper Caps



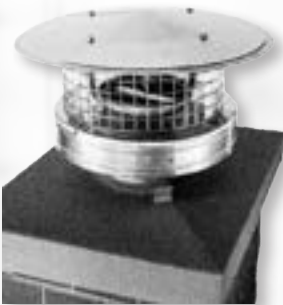
## Damper King Flue Damper Cap

The Damper King flue damper fits on standard flues. The all-in-one design is designed for simplicity and a lifetime of reliable service. Our dampers are made of high quality stainless steel and hi temperature gaskets. The popular handle design makes for easy installation and daily use. Comes with 30' of cable and mounting hardware.

*Available in 316 stainless steel by special order - Custom sizes available by quote.*

*\*Consult with a professional before using with gas logs.*

Size	Fits
9 x 9	6 ¼ x 6 ¼ -- 8 ¾ x 8 ¾
9 x 13	6 ¼ x 10 ¼ -- 8 ¾ x 12 ¾
9 x 17	6 ¼ x 14 ¼ -- 8 ¾ x 16 ¾
13 x 13	10 ¼ x 10 ¼ -- 12 ¾ x 12 ¾
13 x 17	10 ¼ x 14 ¼ -- 12 ¾ x 16 ¾
17 x 17	14 ¾ x 14 ¾ -- 16 ¾ x 16 ¾



## Damper King Rain Damper Cap | Air Cooled

Designed to fit pipes that require air circulation for cooling, whether it is a double or triple wall pipe system. This cap is the answer for extremely windy and rainy conditions.

### How to measure for a perfect fit?

Measure the inside dimension of the pipe, then the outside of the pipe. Tell us how many pipes make up the exhaust system to we can make sure you get the right cap.

*Available in 316 stainless steel by special order - Custom sizes available by quote.*

*\*Consult with a professional before using with gas logs.*

Standard Sizes
6 x 10
7 x 10
8 x 10
8 x 13 ½
9 x 15 ½
10 x 13
10 x 15 ½



## Damper King Rain Damper Cap | Non-Air Cooled

Designed to be used with Class A and single wall pipe. The highest quality and most efficient damper on the market. The all-in-one design is designed for simplicity and a lifetime of reliable service. Our dampers are made of high quality 304 stainless steel and hi temperature gaskets. The popular handle design makes for easy installation and daily use. Comes with 30' of cable and mounting hardware.

*Available in 316 stainless steel by special order - Custom sizes available by quote.*

*\*Consult with a professional before using with gas logs.*

Standard Sizes	
3"	8"
4"	9"
5"	10"
6"	12"
7"	



Damper King Flue Damper Cap



Damper King Rain Damper Cap | Air Cooled



Damper King Rain Damper Cap | Non-Air Cooled





# Miscellaneous Parts



## Alcove Adapter

The adapter is used for connecting black stove pipe to masonry. Constructed with high quality stainless steel.



## Fire Back

Constructed with high quality 14 gauge 304 stainless steel. The sturdy stainless steel design is lighter than cast iron and easier to handle. The fireback is designed with pre-stress bends to resist warping. The legs are cut to allow for use at difference angles.

Standard Sizes
15" w x 15" h
18" w x 16" h
20" w x 20" h
24" w x 24" h
27" w x 27" h



## U-P Adapter

The adapter is for transitioning to between single and multiwall pipe at the ceiling support box. The adapters are made of high quality 304 stainless steel.



## Foundation Vent

Precision made vent for standard 8 x 16 concrete block walls. Fits in the space of a concrete block.



## Chase Covers

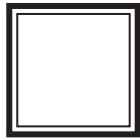
Made from stainless steel, these chase covers are designed to fit over clay liners with a hole for running pellet pipe through, for permanent closure for exhaust systems, or for brick to wooden chases with one or more holes for flues to go through. We make bolt on style for brick chimneys or we can punch holes for nailing to wooden chases.

### How to measure for a perfect fit?

Measure the outside dimension of the clay liner, brick or wooden chase.

*Please see order form for measurements and special information needed to help us get the correct size.*

# Various Shapes of Clay Liners



Square



Rectangle



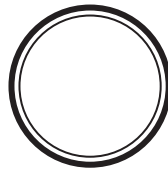
Rectangle (custom)



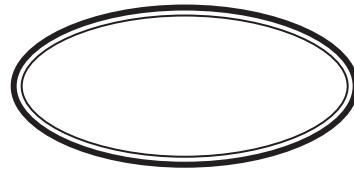
Rectangle (custom)



Racetrack

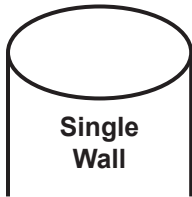


Circle

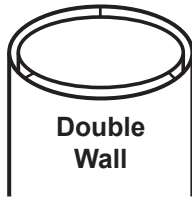


Oval

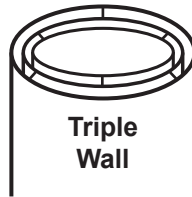
# Round Metal Pipe



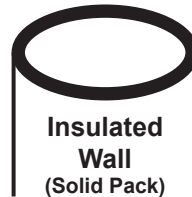
Single Wall



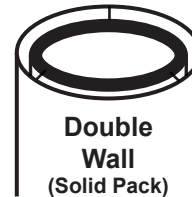
Double Wall



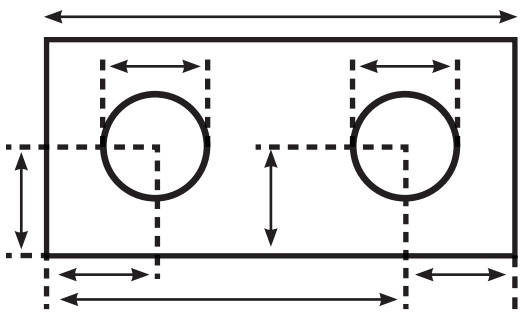
Triple Wall



Insulated Wall  
(Solid Pack)

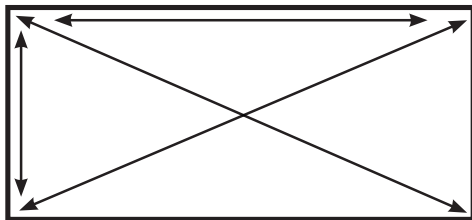


Double Wall  
(Solid Pack)



For Chase covers or custom caps that need to cover a single flue or multiple flues, use this example for a measuring guide.

Measure the vertical and horizontal location for each hole in the chase cover. Measure from the left bottom corner to the center of the hole. For multiple flues, measure from the bottom left corner to the center of each hole. Also measure the overall length and width of the chimney.



For chimney caps, measure the length & width on all 4 sides. Also, measure the diagonals to make sure it's square.